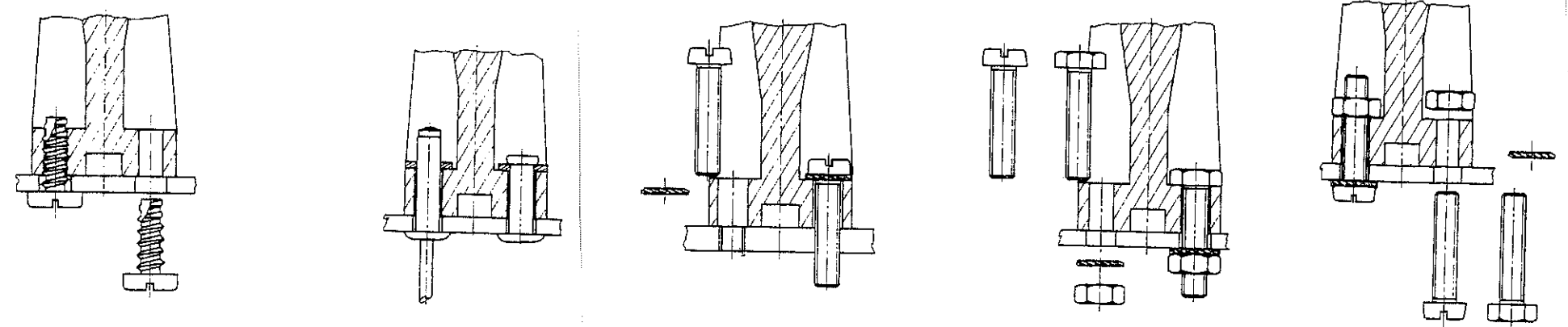
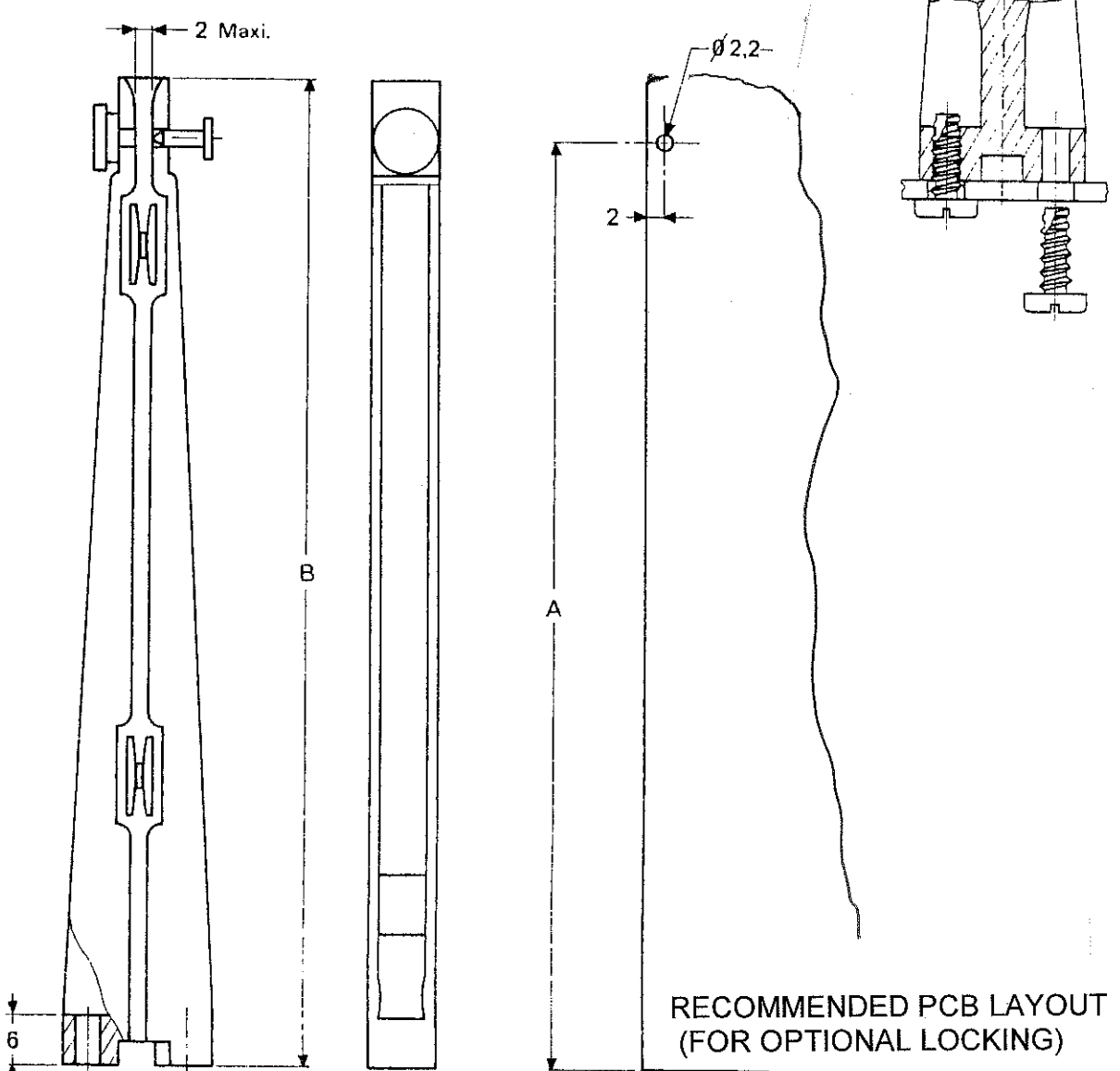
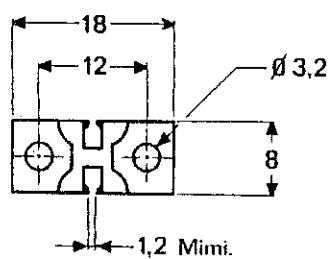


LOC	DIST	REVISIONS			
P	LTR	DESCRIPTION	DATE	DWN	APVD
F	00	A	RELEASE	FEB 07	Y.L. Y.L.



MOUNTING OPTIONS (HARDWARE NOT SUPPLIED)

NO	31,5	39	GRS 6029	4-1437353-2
YES	31,5	39	GRS 6029 VR	4-1437353-3
NO	56,5	64	GRS 6030	4-1437353-4
YES	56,5	64	GRS 6030 VR	4-1437353-5
NO	81,5	89	GRS 6031	4-1437353-6
YES	81,5	89	GRS 6031 VR	4-1437353-7
NO	112,5	120	GRS 6032	4-1437353-8
YES	112,5	120	GRS 6032 VR	4-1437353-9
LOCKING DEVICE	DIM "A"	DIM "B"	OEC-T/B PART NUMBER	TYCO ELECTRONICS PART NUMBER

NOTES:

1 MATERIALS:

- GLASS FILLED PBT UL 94V0
- NICKEL PLATED ZINC ALLOY (LOCKING DEVICE)

2 OPERATING TEMPERATURE: -55°C +125°C

<small>THIS DRAWING IS A CONTROLLED DOCUMENT FOR TYCO ELECTRONICS CORPORATION. IT IS SUBJECT TO CHANGE AND THE CONTROLLING ENGINEERING ORGANIZATION SHOULD BE CONTACTED FOR THE LATEST REVISION.</small>		DWN JJ. DESPRETZ 12FEB2007 CHK G. ROBERT 12FEB2007 APVD Y. PETRONIN 12FEB2007		tyco Tyco Electronics France SAS Electronics 95300 Pontoise, France	
DIMENSIONS: mm 		TOLERANCES UNLESS OTHERWISE SPECIFIED: 0 PLC ± 1 PLC ± 0.3 2 PLC ± 0.15 3 PLC ± 4 PLC ± ANGLES ±5		NAME PRODUCT SPEC APPLICATION SPEC	
MATERIAL FINISH SEE NOTES		WEIGHT CUSTOMER DRAWING		CARD GUIDE SIZE CAGE CODE DRAWING NO RESTRICTED TO A300779 C- 4-1437353-2	
				SCALE	SHEET OF REV A